



28 preset price keys



Total/Weight/Unit

AP-Plus SERIES

Price Computing Scale

AP-Plus Series is easy to use in a variety of retail applications. Fully equipped with a stainless steel platter, pole display with front and rear VFD displays. AP-1(EC) has 28 preset pricing keys.

- Trade approved (NMI No. 6/4D/370)
- RS-232C Interface
- 1/3,000 Dual Interval Technology
- Stainless steel platter



AP-Plus SERIES | Price Computing Scale

SPECIFICATIONS

| Model | AP-Plus Series | | |
|---------------------|--|--------|---------|
| Max. Capacity (kg) | 3/6kg | 6/15kg | 15/30kg |
| Readability (g) | 1/2g | 2/5g | 5/10g |
| External Resolution | 1/3,000 | | |
| Display Digit | 7/5/6 (total price/ weight/unit price) | | |
| Display Type | VFD | | |
| Operating Temp. | -10°C ~ 40°C | | |
| Power | AC 100 ~ 220V, 50/60Hz | | |
| Platter Size (mm) | 340(W) x 215(D) | | |
| Dimensions (mm) | 435(W) x 325(D) x 495(H) | | |
| Product Weight (kg) | 6.5 | | |

FEATURES

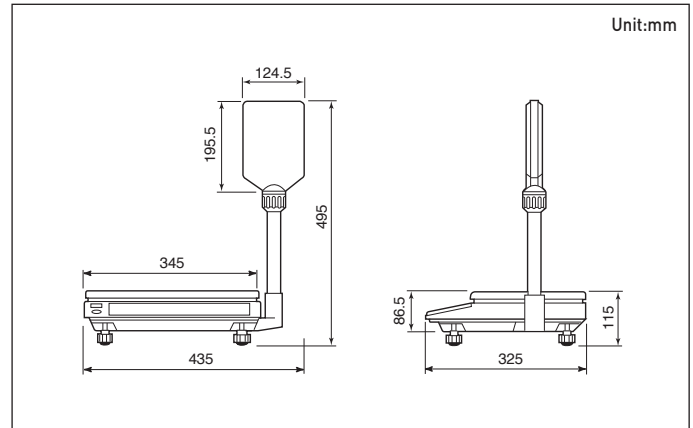
- 28 preset keys
- RS-232C interface
- Highly legible VFD display
- 1/3,000 resolution
- Stainless steel platter
- Auto span adjustment / Auto zero tracking
- Dust protection cover

OPTIONS

- Scoop platter

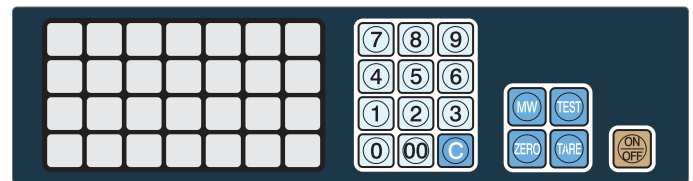


DIMENSIONS



KEYBOARD

- AP-Plus EC



CAS

UNIT 8, NORTHLINK, 459 TUFNELL ROAD
 BANYO QLD 4014, AUSTRALIA
 TEL_ +61 7 3267 7767 FAX_ +61 7 3267 1818
 EMAIL_ sales@casscale.com.au
www.cassscale.com.au

Specifications are subject to change for improvement without prior notice.