

# COMPULOAD CL-MINI



## Entry Level Digital Weighing Systems for Forklifts

- Specifically designed for forklifts.
- Economic replacement for analogue weighing systems
- Super compact design
- Simple operation
- Low cost digital weighing system
- Avoid overloading
- Check weighing of goods
- Max weight alarm
- Back lit high visibility display unit
- 100% zero tare facility
- -30 to 75° operating temperature range
- 12 – 24 VDC compatible
- Weight less than 250gms
- IP65 rated

### Proven Rugged & Reliable

Compuload weighing systems have proven themselves in all types of applications and environments since 1989. Compuload has 1000's of satisfied users.

The rugged design ensures continuous operation even when the going gets tough.

After continuous development we now introduce Compuload 1000.

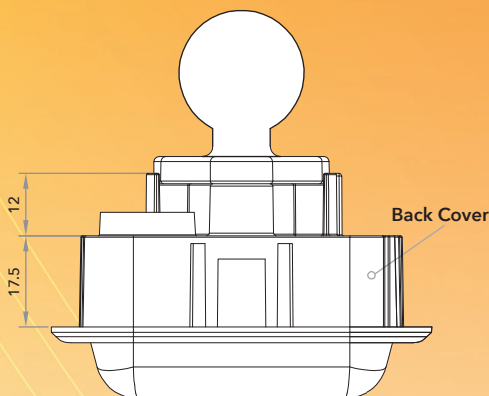
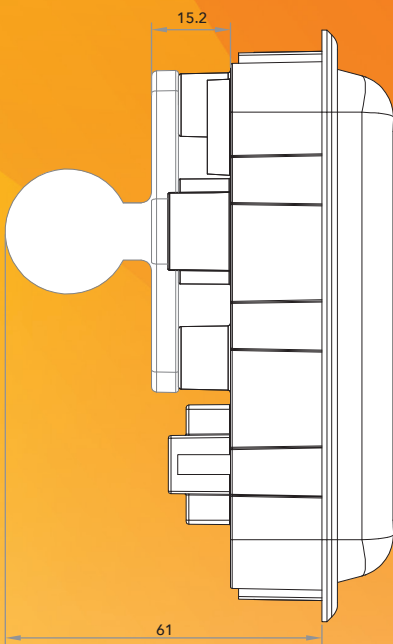
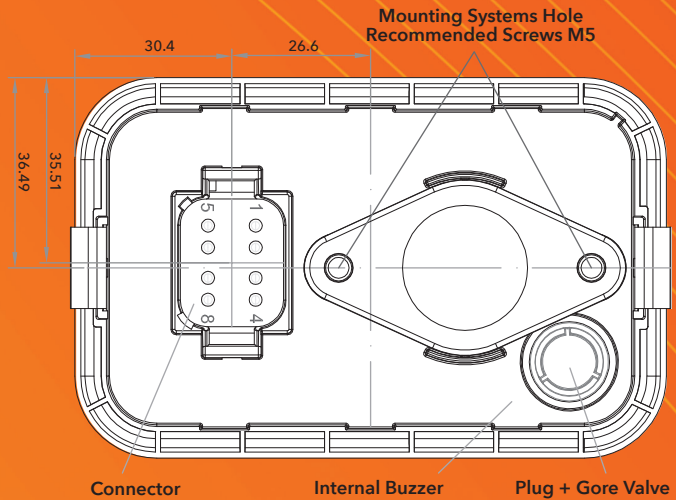
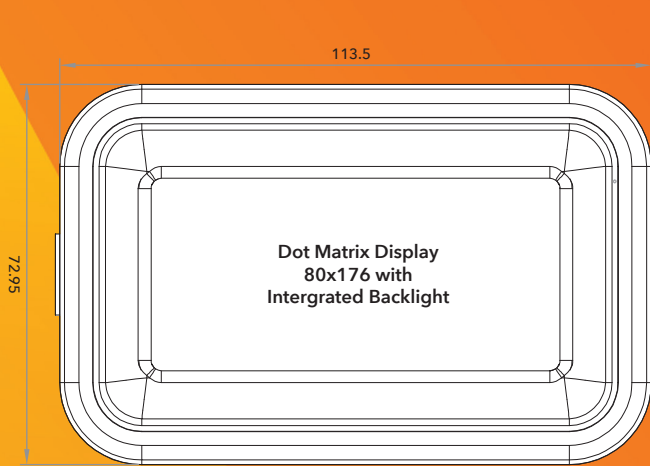
It is simple to operate and provides reliable and accurate readings.

Compuload



# COMPULOAD CL-MINI

## Entry Level Digital Weighing Systems for Forklifts



### TECHNICAL SPECIFICATIONS

Power supply	9 - 32V
Operating Temperature	-30°C + +75°C
Storage Temperature	-35°C + +85°C
Sealing Degree	IP66 Front IP65 Rear
Size	113.4 x 72.9mm
Connector	1 x Deutsch DT Series 8 Pins
Mating Connector	Deutsch DT06 - 08SA
CANBUS Ports	1 Serial Communicatoin Line (125/250/500 kbauds) without the 120R terminator resistor
LCD Display	Dot Matrix 176 x 80
Orientation	It can be used horizontal or vertical position
Backlight	White LED
Buzzer	1 intergrated buzzer driven by micropocessor
Fixing	Penal mount with springs or RAM-mount
Touchscreen	Available version with resistive touchscreen*
I/O List	1 Digital input that can be used as a frequency input. 2 Analog inputs
Frame	ABS: Black
Applications	Compliant with VT3 Winscope and Winloader *Optional upon request

Optional  
CL4070 Printer



**Compuload**  
On Board Weighing Systems

Compuload is the trusted name in On Board Weighing. Established in 1988 we are privately owned Australian company who design, manufacture and distribute the quality Compuload On Board Weighing products throughout Australia and Export markets. Our aim is to offer quality products, dependable performance, reliable delivery and technical backup for all your weighing requirements.

Tel: 1800 285 277 [www.compuload.com.au](http://www.compuload.com.au)